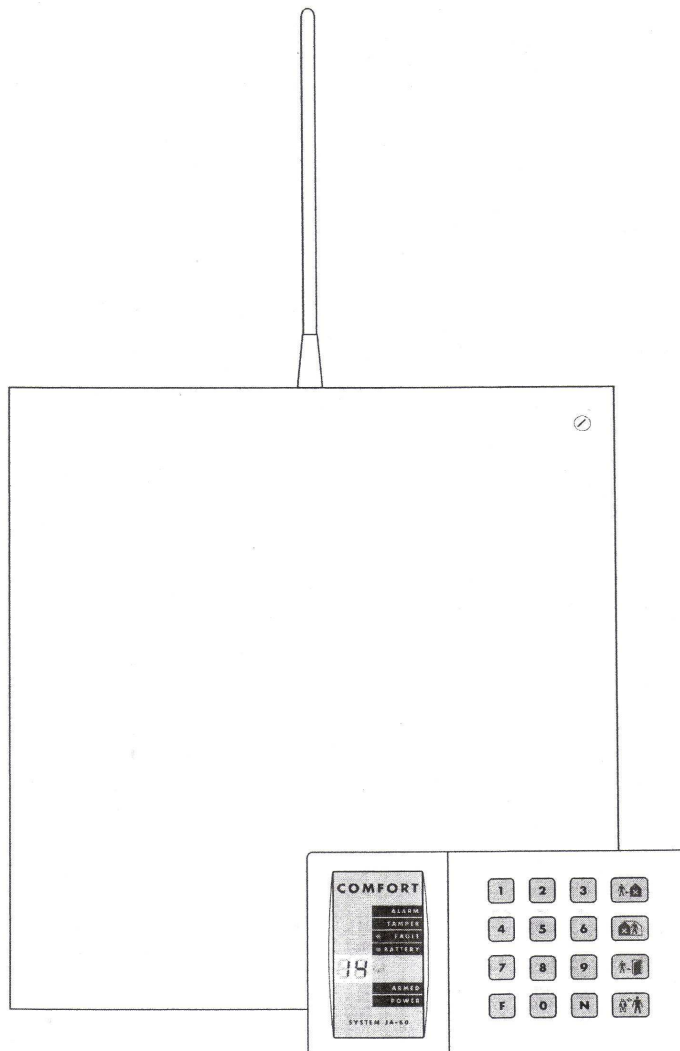


# JA-65 "MAESTRO" Alarm system Installation manual



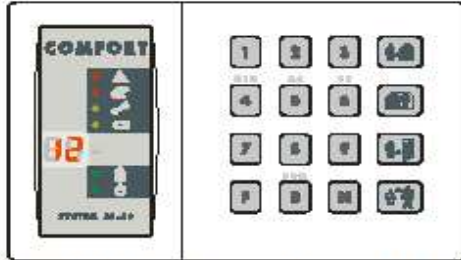
**Alarm - Gesichert**

**J. M. P. Elektronik**

Tel. +43 (0)316 40 25 79



## The JA-60E wire operated keypad

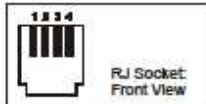


The JA-60E is an optional keypad for the JA-60, JA-63 or JA-65 alarm system. It can operate and program the system in exactly the same way as the built-in keypad on the control panel. It is connected to the control panel by a cable. Up to two keypads can be connected to a single control panel. The alarm system's status is indicated by the LED indicators, the built-in display and built-in buzzer.

### Installation

Select the desired keypad location (close to the entrance). It can be installed either directly on the wall or on a junction box

- Open the keypad by pressing on the rear plastic housing on the right side (using a screwdriver)
- Make a hole for the cable on the rear plastic housing in any of the predefined areas.
- Mount the rear housing to the desired place (the internal tab should be on the right hand side)
- Plug in the cable to the RJ socket or connect it to the terminals
- Reattach the front panel by placing the left side to the rear part and then push the right side against the wall (the tab will click)
- Connect the other end of the cable to the digital socket on the JA-60 control panel (use a splitter or a converter for the terminals when it is necessary)
- The keypad can be used immediately after powering of the control panel (no setting required).



### Remarks:

**Multiple JA-60E keypads** – If you want to use more keypads, they must be connected in parallel. Connecting cables can be split in the control panel, in the first keypad or in an extra junction box. It is also possible to combine cables equipped with RJ connectors for the first keypad and ordinary telephone cable & terminals for the other keypad.

**Connecting cable** must connect the corresponding positions in the keypad and in the control panel (1-1, 2-2, 3-3, 4-4). Check the colours of the cores in the cable.

If the keypad doesn't work after connection, unplug the cable and check if the internal cores are positioned correctly (1-1, 2-2, 3-3, 4-4).

### Operation

The keypad can operate and program the system exactly the same way as the built-in keypad on the control panel.

**Note:** It is not possible to record the voice message from the JA-60E keypad, because the dialer microphone is located in the JA-60CX control panel.

Functions F1 through F0 can be used on the JA-60E as described in the JA-60 control panel manual. Beside this, there are 4 extra keys, which have the following functions (when pressed 0.2 seconds or more):

	<b>Setting (Arming)</b> (equal to F1 entry)		<b>Door opening</b> (equal to F3 entry)
	<b>Partial setting</b> (equal to F2 entry)		<b>Pa</b> (ET CO)

**Backlight of the keys** works only when it powered from the main system. When the system is powered from the back-up battery,

JA-60E wired keypad

The meaning of symbols on the keypad LED indicators:

	Alarm		Power supply
	Tamper		Set (Armed)
	Fault		Battery
	Wireless communication indication		

### Remote access to the system

The JA-60E keypad can be used to operate and to program a remote system (JA-60, JA-63 or JA-65) via telephone line using the JA-60U modem. The remote system must be equipped with a telephone communicator in which remote access was enabled (see installation manual of the control panel).

**Note:** The remote access is possible only with the JA-60E version FE01007 and JA-60U version DY02012 or higher.

Connect the JA-60U modem to the telephone line and plug the JA-60E keypad cable to the data plug on the modem. After you power the modem, the keypad will indicate u (the modem is ready).

To establish connection enter following sequence:

xxxxxxxx F1 a F2 ttt...t F3 nnn...n F d

where:

- xxxxxxxx is 8 digits remote access code of the alarm system
- a second call option (to bypass answering machine) 0=no, 1=yes
- ttt...t call back tel. number – if call back is not requested enter just F3 after F2
- nnn...n tel. number of the remote system (for pause enter F0)
- d dialing method 4-tone, 5-pulse

After the d parameter is entered, the modem will establish connection and the keypad will indicate current status of the remote system. Use the keypad the same way as if connected to the system. Depending on the quality of the telephone connection the response of the keypad can be slower. The 4 large keys on the right side of the remote keypad are not working, use instructions F0 to F9 instead of them.

To terminate the connection press key

To re-establish connection – if you use the same modem to dial the remote system again enter only F6.

If you call another control panel which has the same remote access code, but different tel. number, it is not necessary to re-enter entire sequence above, but only nnn...n F4 – i.e. telephone number to the system and F4 for to start tone dialing (or F5 for pulse dialing).

### Specifications

connection with cable to the JA-60 digital bus connector

connecting cable 4 core cable with RJ connectors (4/4 1-1) or ordinary telephone cable (terminals)

length of the cable max. 100 m

power supply 10-14 V (taken from the digital bus)

power consumption 40 mA when the system is normally powered

25 mA when the system is powered by the back up battery

enclosure IP40

complies with EN 50131 grade 2

environmental class II indoor general -10 to +40°C

Contents of the set: JA-60E keypad, 2 plastic dowels, 2 screws, 4 m of cable, 2 RJ-44 connectors and 2 adhesive labels.

**Accessories** – for keypad connection (can be ordered separately):

RJ-40 converter from RJ connector to 4 terminals

RJ-21 RJ connector splitter (2/1)

RJ-44 cable connector (4P/4C)

RJ-00 crimping tool for RJ connectors

CT-04 cable for RJ connectors



Jabidron Ltd. hereby declares that the JA-60E is in compliance with the essential requirements and other relevant provisions of Directive 2004/108/EC EMC. The original of the conformity assessment can be found on the web site [www.jabidron.com](http://www.jabidron.com), Technical Support section.

pin of battery type and local language any harmful materials we do not refer to the manufacturer instructions

Jabidron Ltd., Pod Škalkou 13  
400 01 Kolářov nad Novou  
Cesou, Republic  
Tel.: +420 483 559 911  
fax: +420 483 559 993  
Internet: [www.jabidron.com](http://www.jabidron.com)  
MFES1009

**J. M. Promitzer Elektronik**

A - 8041 GRAZ Eintrachtgasse 60 Tel.: + 43 ( 0 ) 316 / 40 25 79 , FAX: + 43 ( 0 ) 316 / 40 58 15



- Open the siren housing (1 screw on the front), fig. 1 and remove the metal cover (2 screws), fig. 2.
- Unplug the terminal(5) on the siren driver
- Mount the siren housing on the wall.
- Connect the wires to the terminals(5).

**Important:** Cut off the power before you make the connections.

- Plug the terminal to the drive board.
- Power on the system and check that it function properly.
- Connect the Back-up battery.

**Important:** Keep attention to the polarity of the Battery, a reverse polarity can cause damage to the driver circuit.

- Mount the metal cover by 2 screws.
- Close the housing by 1 screw.

#### Terminal Block Connection

**Terminal 1** - Marked "FL-" Trigger for the flashlight. Connect it to an output in the Alarm System, Active while the input is low.

**Terminals 2** - Marked "GO+" Trigger for the siren and the flashlight, Active while the input is high.

**Terminals 3** - Marked "GO-" Trigger for the siren and the flashlight, Active while the input is low.

**Terminal 4** - Marked "GND" Connect to ground of the control unit.

**Terminal 5** - Marked "+12V" Connect to a positive Voltage output of 13.6 - 14.2Vdc source (usually from the alarm control unit).

**Terminals 6 & 7** - Marked "TAMPER" if a Tamper function is required connect these Terminals to a 24-hour normally closed protective zone in the control unit. If the front cover of the siren is opened or siren box is tearing from the wall, an immediate alarm signal will be sent to the control unit.

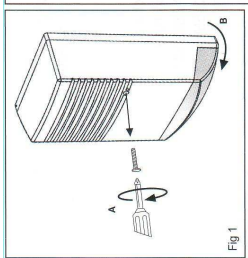


Fig 1

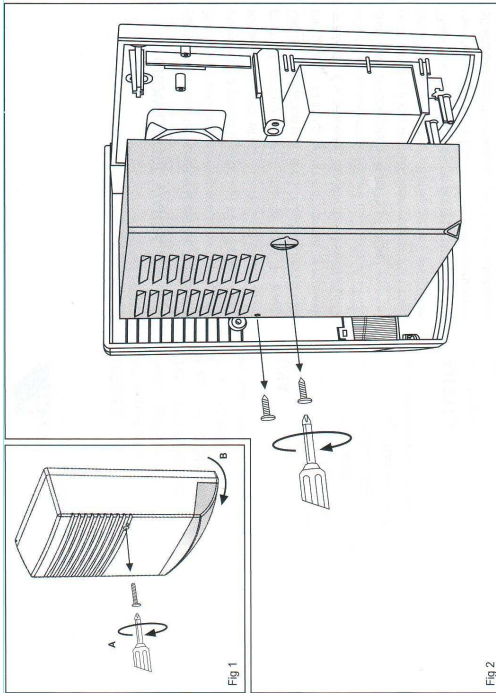


Fig 2

**Siren Includes:**  
 1-Horn  
 2-Lamp  
 3-Battery  
 4-Tamper  
 5-Terminal Block  
 6-Connector

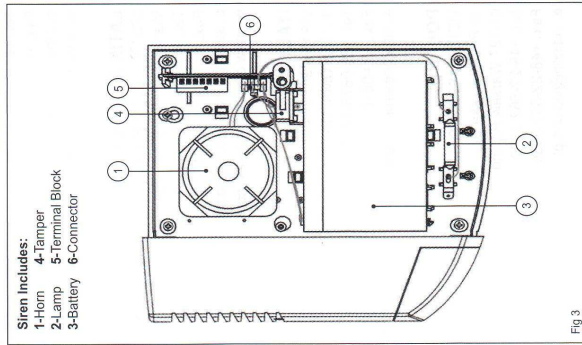


Fig 3

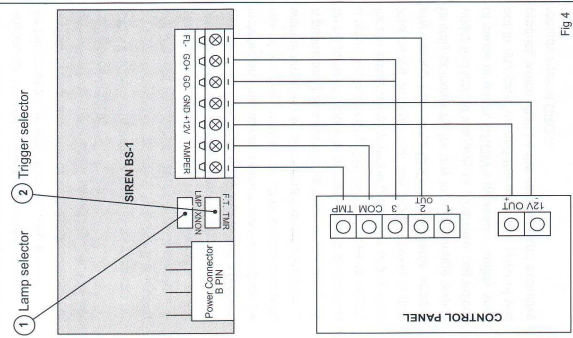


Fig 4

#### Siren BS-1 Specification

Sound Pressure Level	128dB
Fundamental Frequency	1850 Hz
Siren Tone	Yelp
Frequency Range	1300 ~ 2400 Hz
Flash Light	Lamp 12Vdc/ 5W
Power Supply Voltage	13.8 ~ 14.2 Vdc
Current consumption (Speaker and Strobe).	Standby: 8mA Alarm: 1600mA @ 13.8V DC
Maximum Power	50W (Peak)
Trigger Level	Trigger Low = Max. 1Vdc Trigger High = Min. 8Vdc
Siren Alarm Period	F-T-Follow trigger TMR - 3min.
Input Impedance (Alarm / Flash / Trigger)	1K Ohm
Tamper Switch	N.C 28 Vdc Maximum current 0.1 A - open when cover is removed
Backup Battery	Rechargeable Lead Acid Battery 12V up to 7.2Ah
Low Battery Level	8 Vdc +/- 0.3Vdc
Material	External Box: ABS (3mm thick). Internal Cover: Metal (0.8 mm thick).
Dimensions of unit	L=270mm X W=193mm X H=100mm
Weight (Without Battery)	1.85 Kg
Operating temperature range	-30°C to +60°C
Case Protection Level	Water splash resistant Plastic PC with UV protection Conformal coated circuit board

-2-



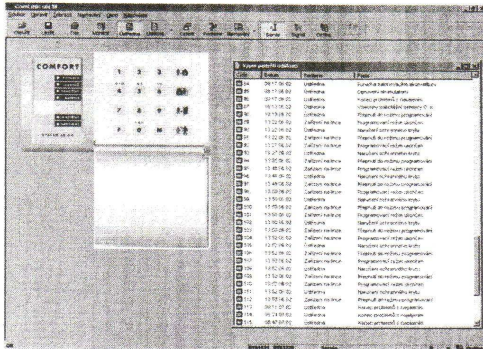
## 19. Personal Computer Interface with PC-60A

The JA-65 system can be connected to a Personal Computer (PC) locally, using the PC-60A interface cable. It is also possible to dial into the system from a remote PC using the JA-60U modem (see section 20). Comlink software is available for Windows system.

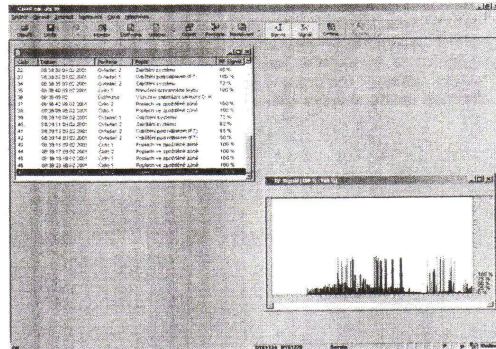
User can check and operate the JA-65 system easily via their PC, can read complete events memory with all details, can view the map of the installation (seeing topical triggering of the detectors) etc. However, the user can not change settings of the system.

Installer who has access rights can program the system, can check the communication quality of the items, can view the level of interference in the location etc. There is also a convenient tool to make a map of the installation, which includes a library of components.

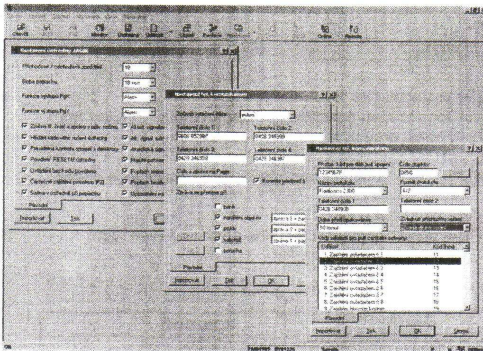
Depending on your access rights, the Comlink software will allow you to open the corresponding screens (see following examples). There is a comprehensive help file in the Comlink program.



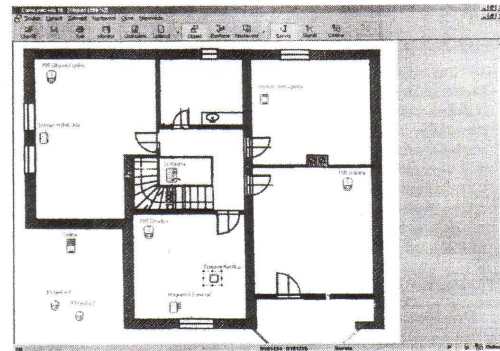
"virtual" control panel access & complete events list



item testing window & RF signal oscilloscope



programming dialogs



map of the system (shows current conditions in the house)

**MERKMALE**

- Patentierte Multi-Fokus-Linse
- Weitwinkelbereich 12×12m, 85°
- QUAD-Zonen-Optik
- Gekapselte Optik
- Temperaturkompensation

**Funktionen**

- Wählbare Impulszählung: (2 oder 4) Impulse möglich
- LED EIN/AUS (Bei VdS-Installationen immer auf EIN)
- Deckelkontakt

**EINFACHE INSTALLATION**

- Vorbereiteter Kabeldurchbruch
- Kabelkanal
- Freie Anschlußklemme
- Großzügige Platzeinteilung zur Verdrahtung

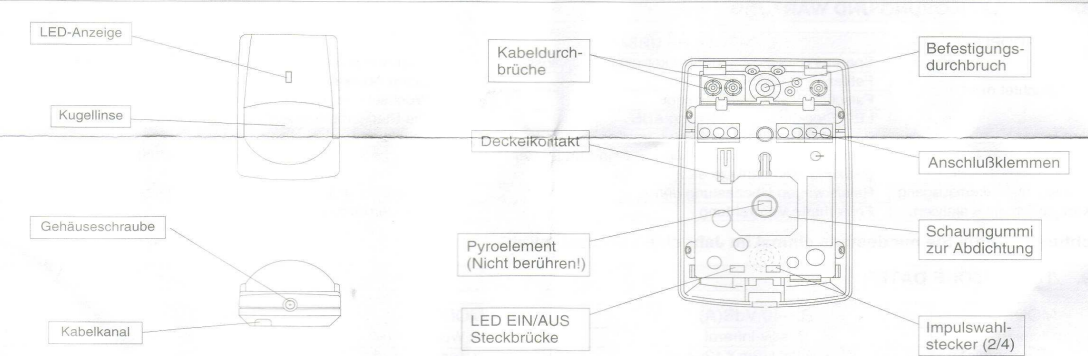
**OPTIONEN**

- FL-60 N Vorhang/Langstreckenlinse (18m): im Lieferumfang enthalten.

**1. MONTAGEHINWEISE**



**2. BESCHREIBUNG UND FUNKTION**



**3. ERFASSUNGSBEREICH**

**WEITWINKEL**

DRAUFSICHT

SEITENANSICHT

**LANGSTRECKENLINSE FL-60N**

**WICHTIG:**  
BEI EINSATZ DES LANGSTRECKENBEREICHS MUß DER IMPULSWAHLSSTECKER IMMER AUF "2" GESETZT WERDEN:

DRAUFSICHT

SEITENANSICHT

**WAHL DES ERFASSUNGSBEREICHS**  
Verwenden Sie die beigegefügte Linse FL-60N für den Langstreckenbereich.

FL-60N Prägung "LONG RANGE"

**AUS-UND EINBAU DER LINSE**

Zum Ausbauen beide Linsenhalter nach außen drücken und gleichzeitig nach vorne schieben. Zum Einsetzen die Linse von vorne in den Gehäusedeckel drücken.

Deckelinnenseite

# Bedienungsanleitung Alarmanlage

**Einschalten:**

- erfolgt durch Drücken der Taste Bereich 1 " / / "
- oder durch Drücken der Taste Bereich 2 " H "
- oder durch Code-Eingabe .... am Bedienteil
- erfolgt durch Drücken der Taste am Hansender " EIN "

**Ausschalten:**

- erfolgt durch Code-Eingabe .... am Bedienteil
- erfolgt durch Drücken der Taste am Hansender " AUS "

**Telefonwählgerät**      1. Nr.:      2. Nr.:      3. Nr.:      4. Nr.:  
( TWG-4 )      Daniel      Monik      - - -      - - -

**Überfall-Scharfschaltung:** Taste rechts unten am Bedienteil (Mann gegen Mann)  
drücken und dann Code eingeben  
Hierdurch wird Alarm ausgelöst

<u>Bedienteil:</u>	<u>Anzeigen:</u>	<u>Symbol:</u>	
	Alarm	LED rot	Alarmauslösung Linie 1-5 und C
	Tamper	LED gelb	Überfalltaste, Sbotage und Deckelkontakte
	Fault	LED gelb	Störung
	Batterie	LED gelb	Batteriestörung
	Armed	LED grün	Ein/Aus
	<b>Power</b>	<b>LED grün</b>	<b>Netzkontrolle 230 VAC</b>

-	Eingabe				
<b>C</b>	Überfalltaste, Sabotagedeckelkontakt			<b>C</b>	Rauch -Temp. Melder
<b>1</b>	Linie 1	<b>Eingang</b>	<b>Tür</b>	<b>9</b>	Linie 9 <b>Büro</b> <b>IR - Melder</b>
<b>2</b>	Linie 2	<b>Diele</b>	<b>IR - Melder</b>	<b>10</b>	Linie 10 <b>1. Stock</b> <b>IR - Melder</b>
<b>3</b>	Linie 3	<b>Gäste Bad</b>	<b>Fenster</b>	<b>11</b>	Linie 11 <b>1.Stock</b> <b>Abstellr.</b> <b>Fenster</b>
<b>4</b>	Linie 4	<b>HWR</b>	<b>Fenster</b>	<b>12</b>	Linie 12 <b>1.Stock</b> <b>Bad</b> <b>Fenster</b>
<b>5</b>	Linie 5	<b>Küche</b>	<b>Fenster</b>	<b>13</b>	Linie 13 <b>Danielle</b> <b>Fenster</b>
<b>6</b>	Linie 6	<b>Wohnz. Tür,</b>	<b>Fenster</b>	<b>14</b>	Linie 14 <b>Amelie</b> <b>Fenster</b>
<b>7</b>	Linie 7	<b>Büro</b>	<b>Fenster</b>	<b>15</b>	Linie 15 <b>Ankleideraum</b> <b>Fenster</b>
<b>8</b>	Linie 8	<b>Wohnzimmer</b>	<b>IR - Melder</b>	<b>16</b>	Linie 16 <b>Schlafzimmer</b> <b>Fenster</b>

<u>Tasten:</u>	" N "	<b>Löschen (Eingabe sowie Alarmspeicher)</b>
	" F "	<b>Funktionstaste</b>
	" 1-0 "	<b>Codeeingabe</b>

**Falsche Code-Eingabe am Bedienteil:** nach 5 x wird Alarm ausgelöst ( " C " )

**J. M. Promitzer Elektronik**

A - 8041 GRAZ Eintrachtgasse 60 Tel.: + 43 ( 0 ) 316 / 40 25 79 , FAX: + 43 ( 0 ) 316 / 40 58 15

